



DIVISION OF: BAKER MANUFACTURING COMPANY

133 Enterprise Street • Evansville, WI 53536
 Phone: 800-871-9250 • Fax: 608-882-3777

H140 Footed Bracket for Base Mounting for 10-40 GPM Haight Pumps

H140 Footed Bracket for Base Mounting for 10-40 GPM Haight Pumps

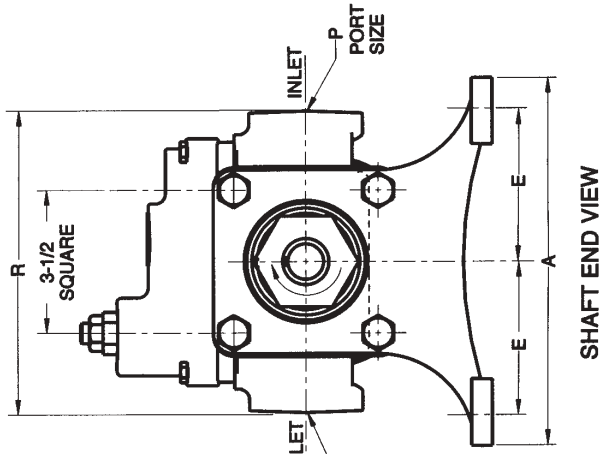
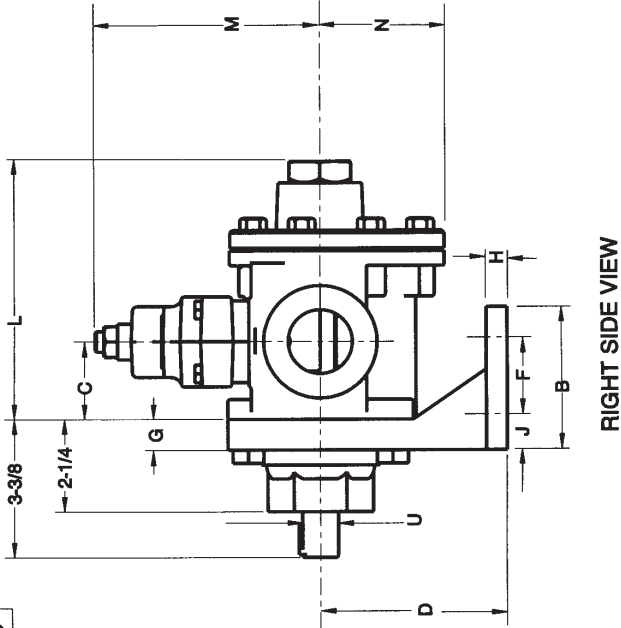
H140 Footed Bracket for Base Mounting for 10-40 GPM Haight Pumps

Bracket sizes coincide with NEMA motor frame designations

Pump	WITH R.V.	W/O R.V.	P	R	U	C	L	M (UR)	M (UD)	N
10UR	10UD	1	7	5/8	1-15/16	6-3/16	5-15/32	2-1/4	2-3/4	2-3/4
15UR	15UD	1-1/4	7	5/8	1-15/16	6-3/16	5-15/32	2-1/4	2-3/4	2-3/4
20UR	20UD	1-1/4	7	5/8	1-15/16	6-3/16	5-15/32	2-1/4	2-3/4	2-3/4
22UR	22UD	1-1/2	7-3/8	7/8	1-29/32	6-5/16	5-15/32	2-1/4	3	3
30UR	30UD	1-1/2	7-3/8	7/8	1-29/32	6-5/16	5-15/32	2-1/4	3	3
40UR	40UD	1-1/2	7-3/8	7/8	1-29/32	6-5/16	5-15/32	2-1/4	3	3

Bracket

SIZE	D	A	B	E	F	H	G	J
H140	3-1/2	7	2-1/8	2-3/4	0	1/2	5/8	1-1/2
H182	4-1/2	9	3-1/2	3-3/4	1-7/8	1/2	3/4	7/8
H213	5-1/4	10	3-1/2	4-1/4	1-7/8	1/2	3/4	7/8
H254	6-1/4	12-1/8	4-5/8	5	1-1/2	11/16	3/4	1-1/16



Rotation Arrow Denotes Standard Clockwise Rotation